

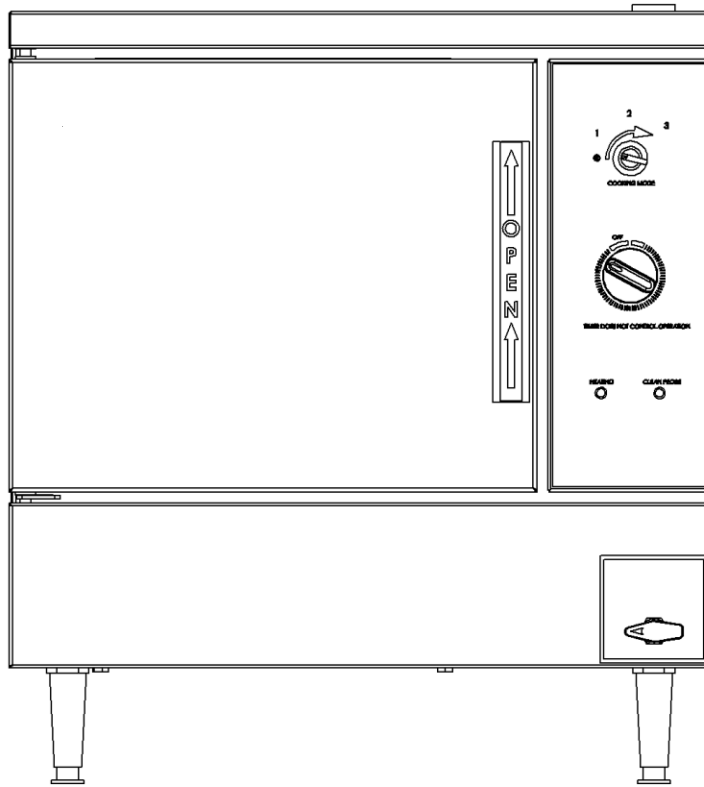


IMPORTANT FOR FUTURE REFERENCE
 Please complete this information and retain this manual for the life of the equipment:

Model #: _____
 Serial #: _____
 Date Purchased: _____

PARTS LIST & SERVICE MANUAL

Electric Counter Steamer CSE-4-SB CSE-6-SB



⚠ WARNING

Improper installation, adjustment, alteration, service or maintenance can cause property damage, injury or death. Read the installation, operating and maintenance instructions thoroughly before installing or servicing this equipment.

SOUTHBEND FOOD SERVICE EQUIPMENT

A Middleby Company
 1100 Old Honeycutt Road Fuquay-Varina, North Carolina 27526
 Telephone: 919-762-1000 www.southbendnc.com
 Printed in Canada



TABLE OF CONTENTS

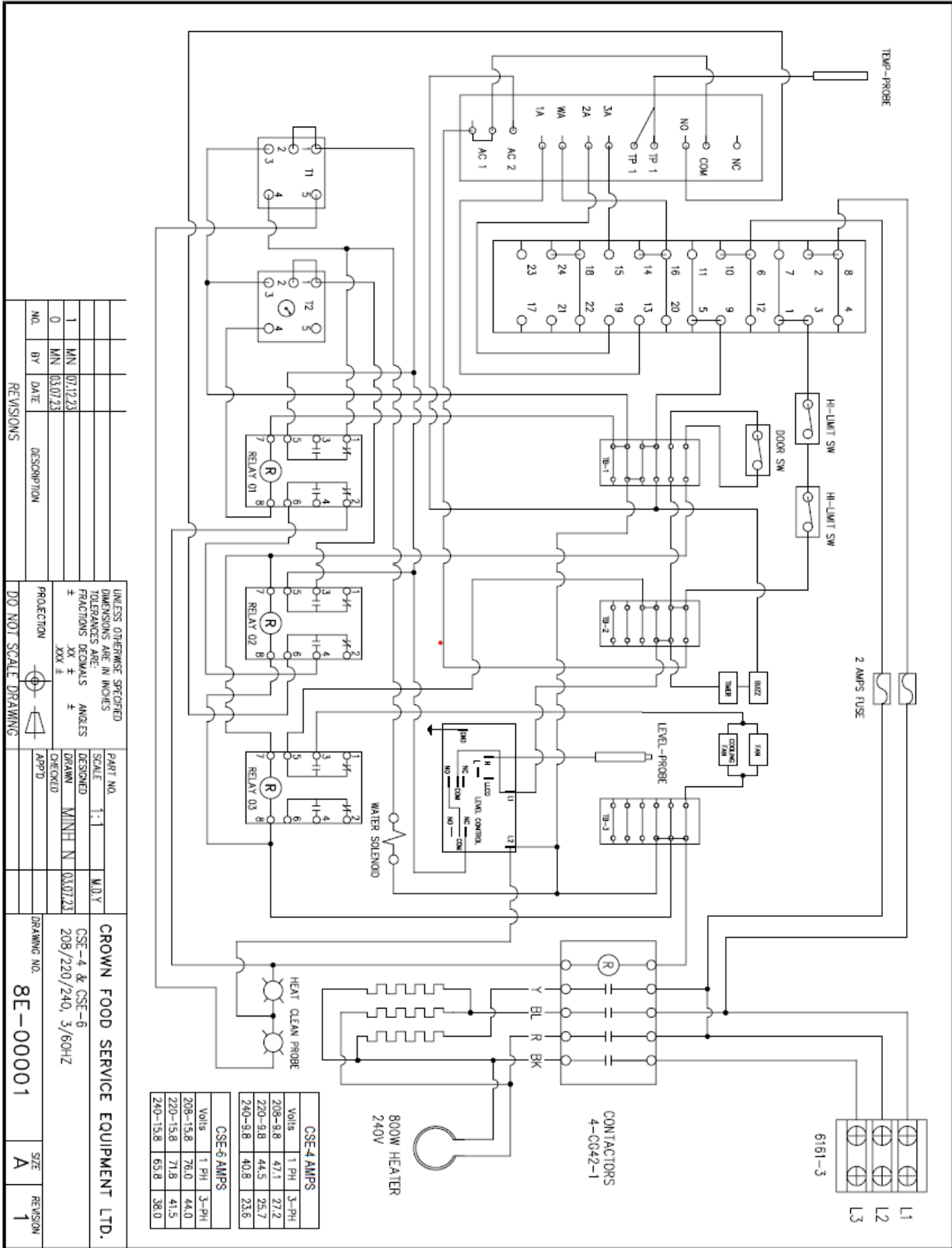
WIRING DIAGRAM

| | |
|--|---|
| 208/220/240 VAC 3ph/60hz | 3 |
| 208/220/240 VAC 1ph/60hz | 4 |
| 380/415/480 VAC 3ph/60hz | 5 |
| 380/220 & 415/220 VAC 3ph/60hz, 4 Wires..... | 6 |

ILLUSTRATED PARTS LIST

| | |
|------------------------------------|----|
| STEAMER ASSEMBLY | 7 |
| DOOR SUB-ASSEMBLY | 10 |
| FAN SUB-ASSEMBLY | 12 |
| COMPONENT BOARD SUB-ASSEMBLY | 13 |

208/220/240 VAC 3ph/60hz

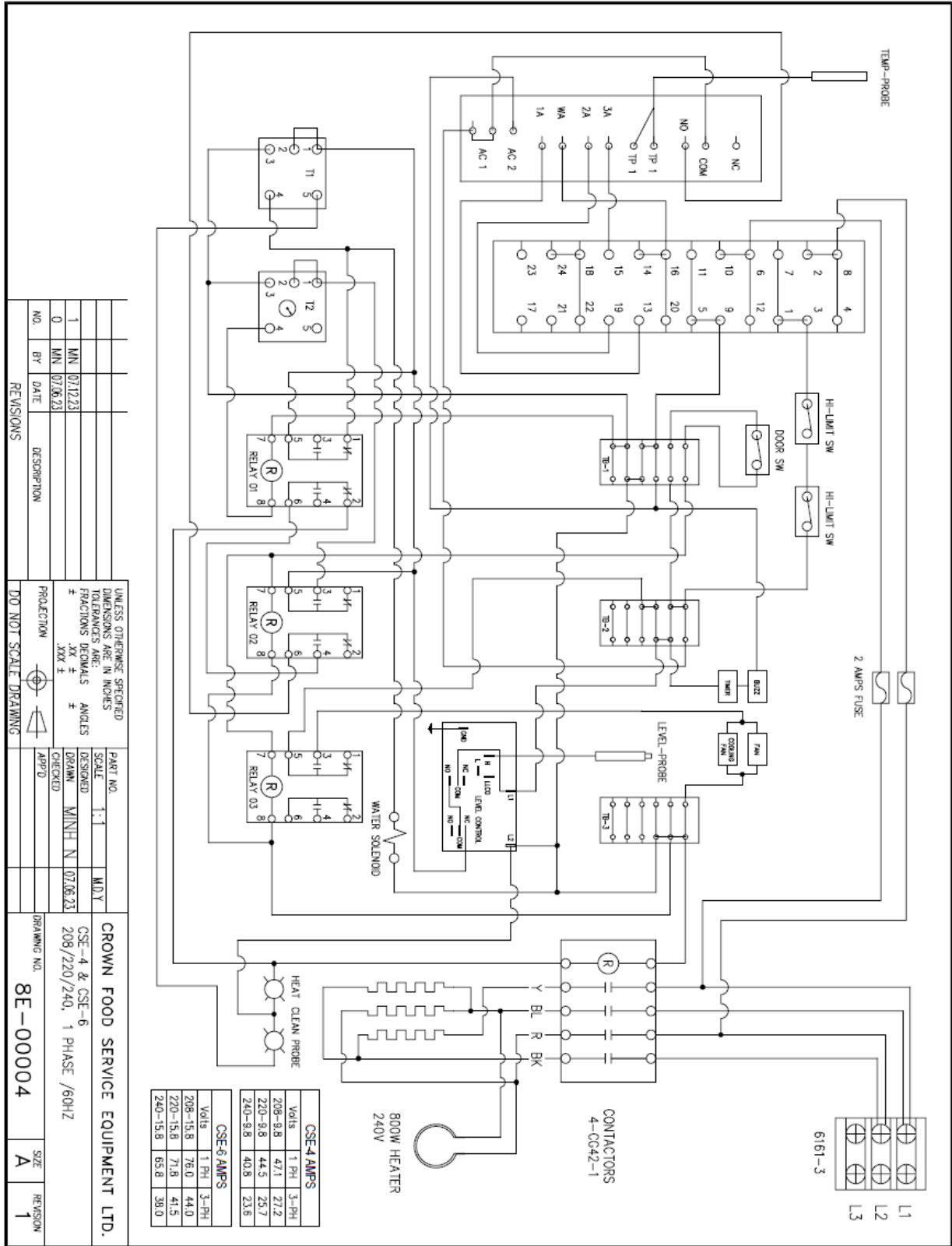


| REVISIONS | | DESCRIPTION | |
|-----------|-----|-------------|-------------|
| NO. | BY | DATE | DESCRIPTION |
| 1 | MIN | 07.12.23 | |
| 0 | MIN | 03.07.23 | |

| PART NO. | | SCALE | | M.U.Y | |
|---------------|--|--------|--|----------|--|
| CSE-4 & CSE-6 | | 1:1 | | | |
| DESIGNED | | DRAWN | | CHECKED | |
| MINH N | | MINH N | | 03.07.23 | |

| DRAWING NO. | | SIZE | | REVISION | |
|-------------|--|------|--|----------|--|
| 8E-00001 | | A | | 1 | |

208/220/240 VAC 1ph/60hz

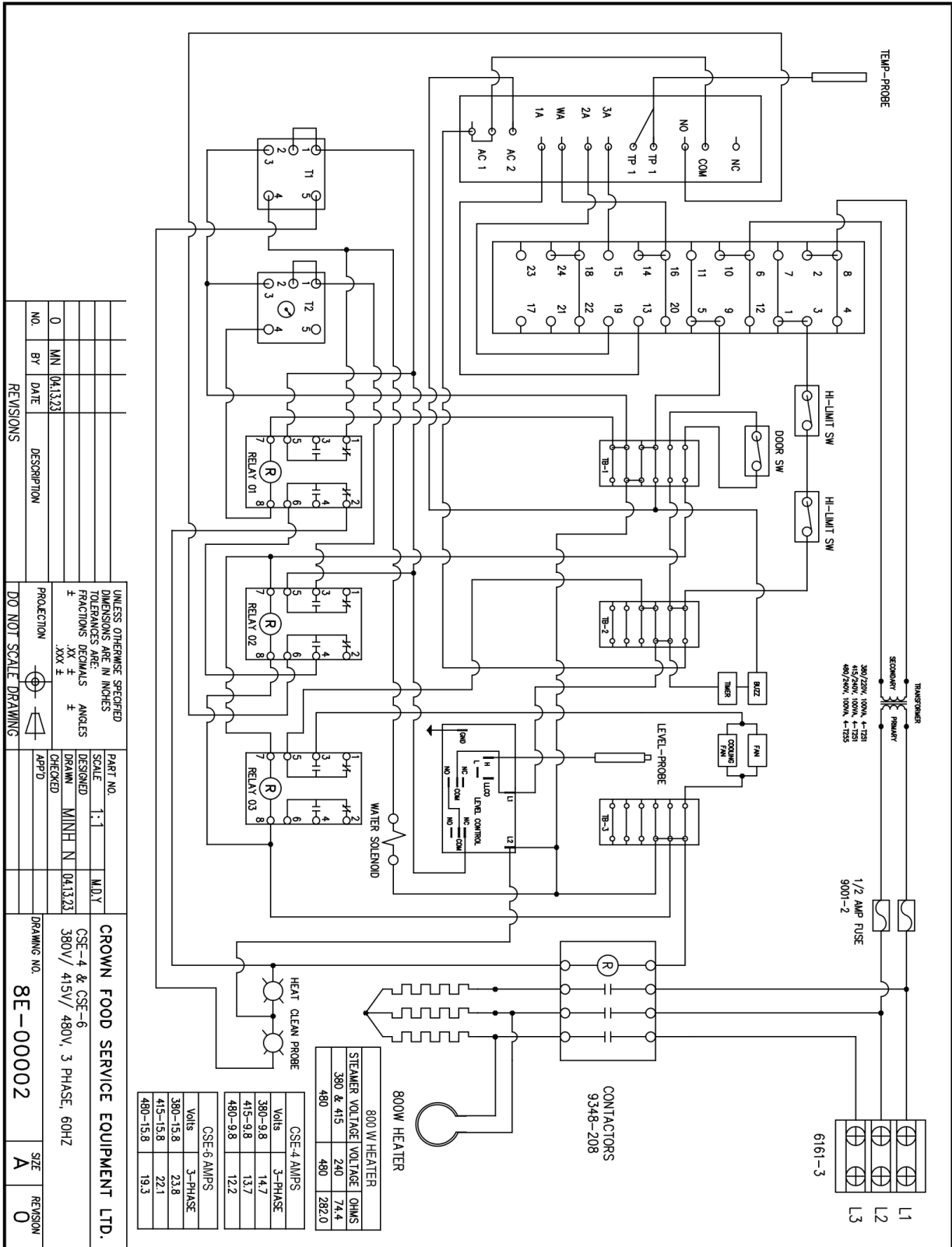


| REVISIONS | | UNLESS OTHERWISE SPECIFIED | | PART NO. | |
|-----------|----|----------------------------|-------------|----------|-------|
| NO. | BY | DATE | DESCRIPTION | SCALE | M.D.Y |
| 1 | MN | 07.12.23 | | 1:1 | |
| 0 | MN | 07.06.23 | | | |

| PROJECTIONS | | DIMENSIONS ARE IN INCHES | | DRAWING NO. | |
|-------------|--------------------|--------------------------|--------|---------------|----------------------------|
| ± | FRACTIONS DECIMALS | ± | ANGLES | CSE-4 & CSE-6 | 208/220/240, 1 PHASE /60HZ |
| ± | .XXX ± | | | CHECKED | |
| | | | | APP'D | |

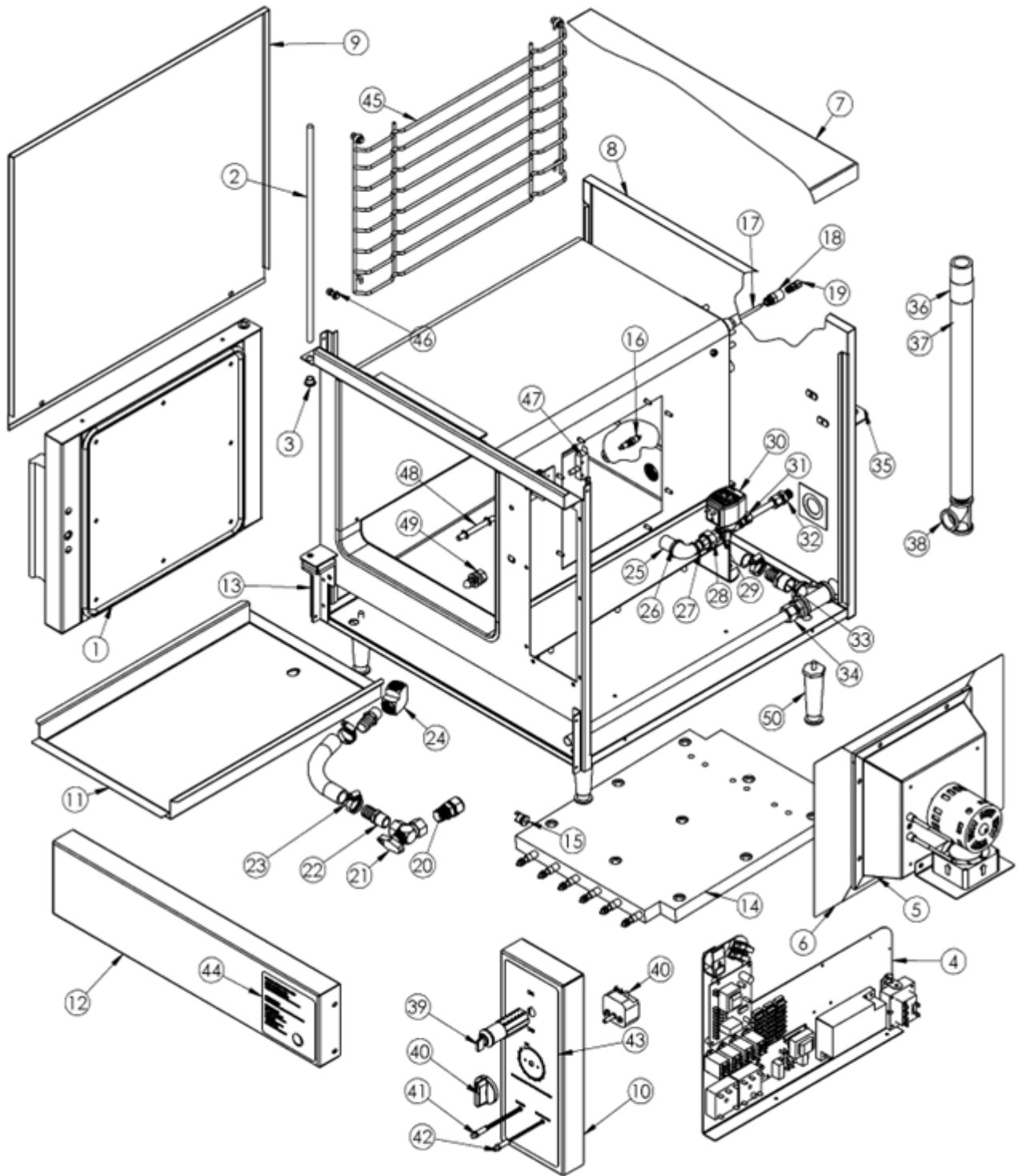
| DRAWING NO. | | SIZE | | REVISION | |
|-------------|--|------|--|----------|--|
| 8E-00004 | | A | | 1 | |

380/415/480 VAC 3ph/60hz



| REVISIONS | | DESCRIPTION | | PROJECTION | | CHECKED | | DRAWING NO. | | DRAWING NO. | |
|-----------|----------|-------------|----------|------------|-----|---------|-----|------------------------------|----------|-------------|---|
| 0 | 04.13.23 | 0 | 04.13.23 | MIN | MAX | MIN | MAX | 380V/415V/480V, 3 PHASE 60HZ | 8E-00002 | A | 0 |

STEAMER ASSEMBLY



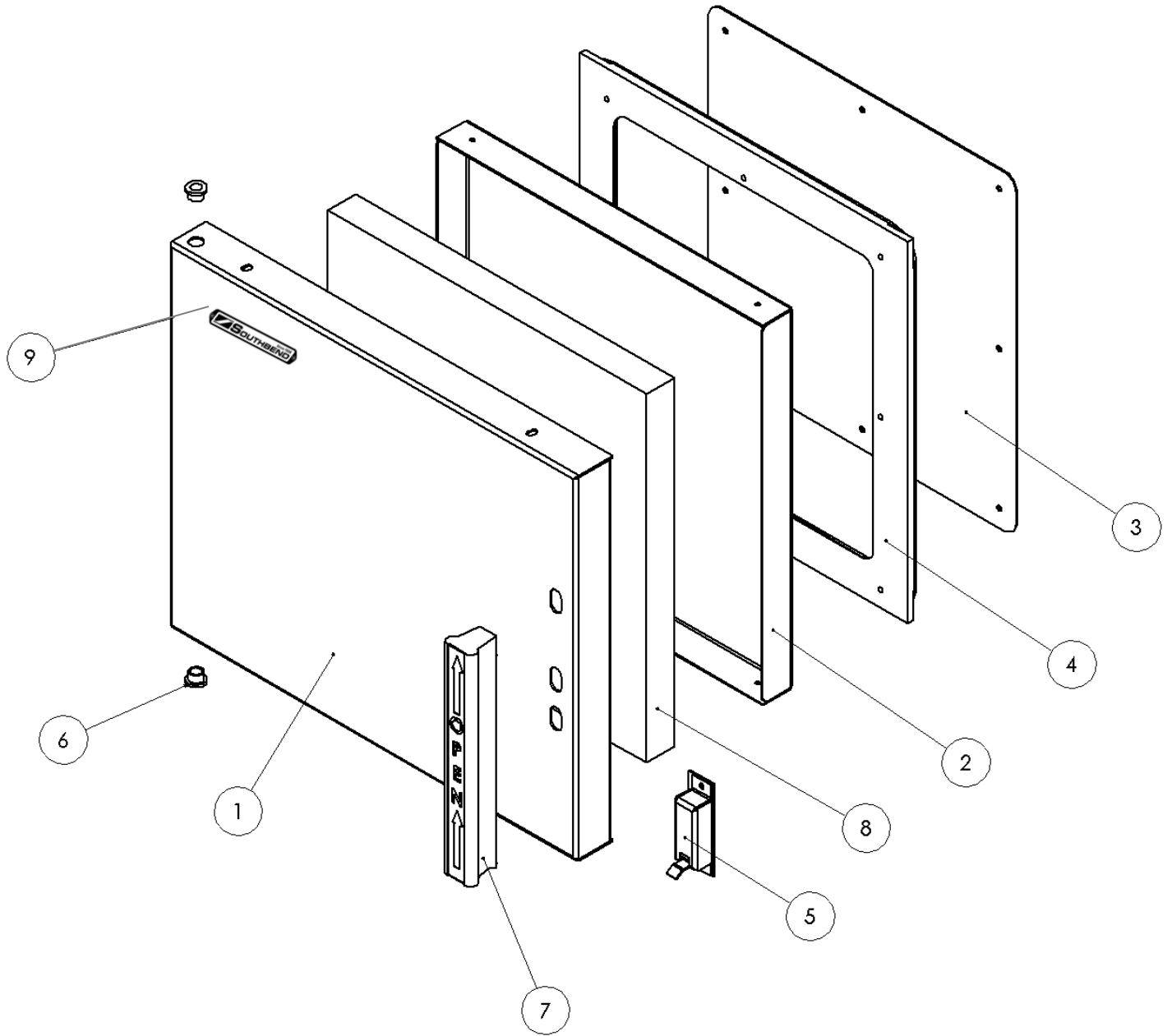
STEAMER ASSEMBLY

| ITEM NO. | PART NUMBER | DESCRIPTION | CSE-4-SB | CSE-6-SB |
|----------|-------------|------------------------------------|----------|----------|
| 1 | 3935-8 | DOOR ASSEMBLY | 1 | |
| | 3935-10 | DOOR ASSEMBLY | | 1 |
| 2 | 03-000082-1 | HINGE ROD | 1 | |
| | 03-000082-2 | HINGE ROD | | 1 |
| 3 | 3506-1 | BRONZE BUSHING, DOOR SPACER | 1 | 1 |
| 4 | 01-000115-1 | CONTROL BOARD ASSEMBLY | 1 | 1 |
| 5 | 01-000114-1 | FAN ASSEMBLY | 1 | 1 |
| 6 | 02-000153-1 | AIR DEFLECTOR | 1 | 1 |
| 7 | 02-000250-1 | TOP PANEL | 1 | 1 |
| 8 | 01-000129-1 | BACK PANEL ASSEMBLY | 1 | |
| | 01-000129-2 | BACK PANEL ASSEMBLY | | 1 |
| 9 | 02-000247-1 | RH PANEL | 1 | |
| | 02-000247-2 | LH PANEL | 1 | |
| | 02-000247-3 | RH PANEL | | 1 |
| | 02-000247-4 | LH PANEL | | 1 |
| 10 | 02-000237-1 | ANALOG INTERFACE PANEL | 1 | |
| | 02-000237-2 | ANALOG INTERFACE PANEL | | 1 |
| 11 | 01-000263-1 | RESERVIOR COVER ASSEMBLY | 1 | 1 |
| 12 | 02-000239-1 | ELEMENT COVER | 1 | 1 |
| 13 | 02-000152-1 | ELEMENT COVER BRACKET | 2 | 2 |
| 14 | 6921-1 | ELEMENT ASSEMBLY, 208V, 9kW | 1 | 1 |
| | 6921-2 | ELEMENT ASSEMBLY, 220V, 380V, 9kW | 1 | 1 |
| | 6921-3 | ELEMENT ASSEMBLY, 240V, 415V, 9kW | 1 | 1 |
| | 6921-4 | ELEMENT ASSEMBLY, 480V, 9kW | 1 | 1 |
| | 6921-5 | ELEMENT ASSEMBLY, 600V, 9kW | 1 | 1 |
| | 6921-6 | ELEMENT ASSEMBLY, 208V, 15kW | 1 | 1 |
| | 6921-7 | ELEMENT ASSEMBLY, 220V, 380V, 15kW | 1 | 1 |
| | 6921-8 | ELEMENT ASSEMBLY, 240V, 415V, 15kW | 1 | 1 |
| | 6921-9 | ELEMENT ASSEMBLY, 480V, 15kW | 1 | 1 |
| | 6921-10 | ELEMENT ASSEMBLY, 600V, 15kW | 1 | 1 |
| 15 | 4914-2 | HI-LIMIT THERMOSTAT | 2 | 2 |
| 16 | 92-0054 | WATER LEVEL SENSE PROBE | 1 | 1 |
| 17 | 92-0078 | PROBE, CAVITY TEMP | 1 | 1 |
| 18 | 10-3323 | BUSHING NYLON 1/4 X 1 CP041501 | 1 | 1 |
| 19 | 92-0085 | MALE CONNECTOR, 1/8 NPT X 3/16 | 1 | 1 |
| 20 | 9768-17 | BRASS CONNECTOR 5/8 C X 1/2 MPT | 1 | 1 |
| 21 | 92-0738 | MANUAL 90° DRAIN VALVE | 1 | 1 |

STEAMER ASSEMBLY

| ITEM NO. | PART NUMBER | DESCRIPTION | CSE-4-SB | CSE-6-SB |
|----------|-------------|---|----------|----------|
| 22 | 90-8058 | FITTING, BRASS, 1/2 MNPT TO 3/4 BARB | 3 | 3 |
| 23 | 9017-3 | WORM-DRIVE CLAMPS WITH SMOOTH BAND | 4 | 4 |
| 24 | 9790-3 | HIGH-PRESSURE BRASS PIPE FITTING | 1 | 1 |
| 25 | 92-0059 | WATER INLET | 1 | 1 |
| 26 | 92-0045 | ELBOW, REDUCING, 1/2 TO 1/4, BRONZE | 1 | 1 |
| 27 | 92-0061 | NIPPLE, BRASS, 1.5", 1/4" MNPT | 1 | 1 |
| 28 | 92-0039 | UNION, BRASS, 1/4" NPT | 1 | 1 |
| 29 | 50610 | NIPPLE, BRASS, 1/4 NPT X .875" | 1 | 1 |
| 30 | 92-0172 | SOLENOID VALVE, 250 V | 1 | 1 |
| 31 | 9768-9 | BRASS CONNECTOR 3/8 C X 3/8 MPT | 1 | 1 |
| 32 | 9739-2 | COMPRESSION FITTING 3/8 TUBE | 1 | 1 |
| 33 | 08-4852 | FITTING, BRASS, 3/4 NPT TO 3/4 TUBE | 1 | 1 |
| 34 | 9768-18 | BRASS CONNECTOR 5/8 C X 3/4 MPT | 1 | 1 |
| 35 | 02-000151-1 | VENT BRACKET | 1 | 1 |
| 36 | 06-000026-1 | 316 STAINLESS STEEL THREADED PIPE FITTING | 1 | 1 |
| 37 | 08-1202 | BARBED HOSE FITTING 3/4 NPT x 1" ID HOSE | 2 | 2 |
| 38 | 08-4990 | TEE, BRASS, 3/4 | 2 | 2 |
| 39 | 92-0125 | SWITCH, ROTARY | 1 | 1 |
| 40 | 92-0137 | 60-MINUTE TIMER | 1 | 1 |
| | 92-0138 | TIMER KNOB | 1 | 1 |
| 41 | 92-0184 | LIGHT, NEON, 250V, AMBER | 1 | 1 |
| 42 | 92-0185 | LIGHT, NEON, 250V, RED | 1 | 1 |
| 43 | 10-000005-1 | ANALOG DECAL | 1 | |
| | 10-000005-2 | ANALOG DECAL | | 1 |
| 44 | 10-000010-1 | DRAIN DECAL | 1 | 1 |
| 45 | 2681-2 | PAN RACK (4) C/W HOOK | 2 | |
| | 2681-3 | PAN RACK (6) C/W HOOK | | 2 |
| 46 | 4721-1 | HANGER PIN ASSEMBLY (PAN RACK) | 6 | 6 |
| 47 | 9208-1 | LIMIT SWITCH | 1 | 1 |
| 48 | 3775-1 | ACTUATOR ROD WITH CLIP | 1 | 1 |
| 49 | 3498-1 | STRIKER - STEAMER DOOR | 1 | 1 |
| 50 | 3952-1 | LEG / ADJUSTABLE SQUARE FOOT FLANGE | 4 | 4 |

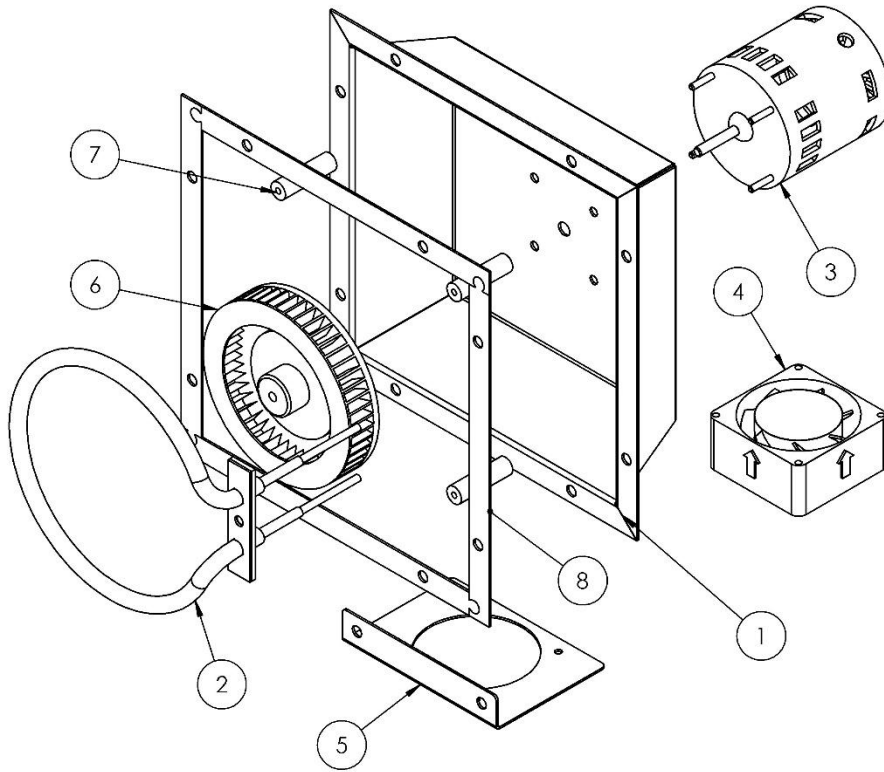
DOOR SUB-ASSEMBLY



DOOR SUB-ASSEMBLY

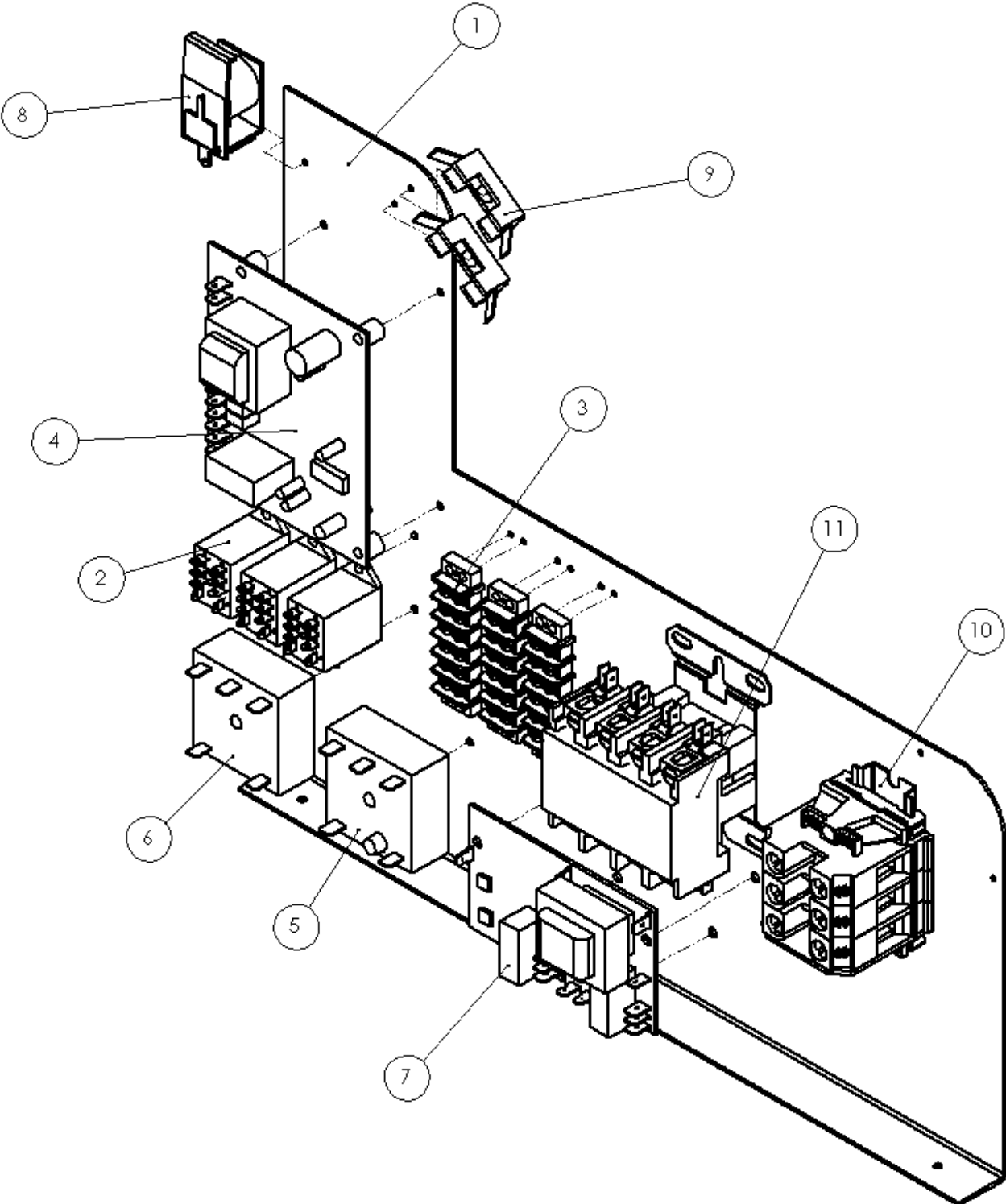
| ITEM NO. | PART NUMBER | DESCRIPTION | QUANTITY | |
|----------|-------------|----------------------------------|----------|----------|
| | | | CSE-4-SB | CSE-6-SB |
| 1 | 2837-1 | OUTER DOOR SHELL | 1 | |
| | 2837-2 | OUTER DOOR SHELL | | 1 |
| 2 | 2838-1 | DOOR PANEL | 1 | |
| | 2838-2 | DOOR PANEL | | 1 |
| 3 | 2839-1 | GASKET RETAINING PLATE | 1 | |
| | 2839-2 | GASKET RETAINING PLATE | | 1 |
| 4 | 2668-1 | DOOR GASKET 4 PAN | 1 | |
| | 14-000019-1 | DOOR GASKET 6 PAN | | 1 |
| 5 | 3900-1 | DOOR LOCK SUB ASSEMBLY | 1 | |
| 6 | 3506-1 | BRONZE BUSHING, DOOR SPACER | 2 | 2 |
| 7 | 3903-2 | DOOR HANDLE ASSEMBLY FOR STEAMER | 1 | 1 |
| 8 | 14-0008 | DOOR INSULATION | 1 | |
| | 14-0009 | DOOR INSULATION | | 1 |
| 9 | 9903-2 | SOUTHBEND NAME PLATE | 1 | 1 |

FAN SUB-ASSEMBLY



| ITEM NO. | PART NUMBER | DESCRIPTION | QTY. |
|----------|-------------|-----------------------------|------|
| 1 | 02-000154-1 | FAN HOUSING | 1 |
| 2 | 07-000011-1 | TUBULAR HEATER, 800W,240V | 1 |
| | 07-000011-2 | TUBULAR HEATER, 800W,480V | 1 |
| 3 | 08-6905 | MOTOR, 1/70 HP, 240V | 1 |
| 4 | 9113-2 | COOLING FAN 3" | 1 |
| 5 | 02-000183-1 | COOLING FAN BRACKET | 1 |
| 6 | 03-000095-1 | BLOWER WHEEL | 1 |
| 7 | 03-000085-1 | ALUMINIUM UNTHREADED SPACER | 4 |
| 8 | 14-000018-1 | GASKET FAN ASSEMBLY | 4 |

COMPONENT BOARD SUB-ASSEMBLY



COMPONENT BOARD SUB-ASSEMBLY

| ITEM NO. | PART NUMBER | DESCRIPTION | QTY. |
|----------|-------------|---|------|
| 1 | 02-000241-1 | COMPONENT MOUNTING BOARD | 1 |
| 2 | 9344-2 | RELAY, 240V, DPDT | 3 |
| 3 | 92-0140 | STRIP TERMINAL, 6 POLE | 3 |
| 4 | 92-0183 | TEMPERATURE CONTROL BOARD, 240V | 1 |
| 5 | 92-0187 | TIMER, DELAY ON MAKE, 230V | 1 |
| 6 | 92-0188 | TIMER, SOLID STATE, 60 SEC | 1 |
| 7 | 92-0181 | CONTROLLER, WATER FILL, 240V | 1 |
| 8 | 4742-1 | BUZZER, 240V | 1 |
| 9 | 08-6469 | FUSE HOLDER | 2 |
| 10 | 6161-3 | MODULAR TERMINAL ASSEMBLY, 3 POLE, (208-600V) | 1 |
| 11 | 4-CG42-1 | CONTACTOR 4 POLE 208-240V COIL(OPTIONAL) | 1 |